



Tabletop Nameplate



Keywords

- *Dual sided 7 inch nameplate*
- *Free nameplate software available*
- *Anodized aluminum finishing*

CE
FCC
IECEE



Thanks for choosing us,
Please read this instruction carefully before using the device.



Please remove the transportation screws in the back, right, left side of housing and protection foam of the screen before power up to avoid damage to the product!

In order to make sure the device is working properly, please follow below instructions:

- If found any abnormal situation, please cut off the power, plug off the power cord and contact the supplier. To avoid any fire accident, DON'T use device in following situations,
 - If peculiar smell found or fog comes from the product
 - If water or metal parts get inside the product
 - If the housing is deformed or damaged
 - If internal wire is broken
- As the device is high voltage, please DON'T open the housing at random to avoid fire or electric shock.
- DON'T put any conducting liquid on top of the product, to avoid fire or electric shock.
- The product is I type, should be connected to ground.



- Display

screen size	7 inch dual sided
matrix type	TFT
resolution	1024*600
brightness	350cd/ m ²
contrast ratio	800:1
aspect ratio	16:9
view angle	85/85/85/85
backlight spanlife	10000 hours
response time	30(Typ.)(Tr+Td)ms

- Electrical

data input	USB 2.0
control	Ethernet
power supply	12V
power consumption	≤8W

- Mechanism

housing	anodized aluminium
finishing	black/silver, matt/brushed customization available
G.W.	1.5kgs
packing dimension	215*123*170mm
temperature	working -20°C~+70°C, storage -30°C~+80°C
humidity	working ≤90%, storage ≤90%

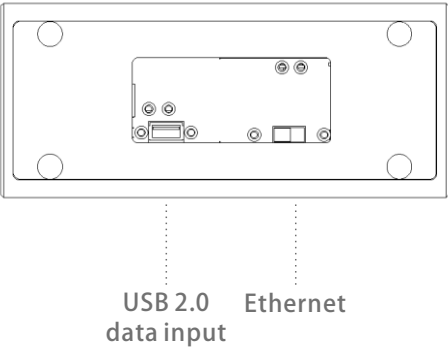
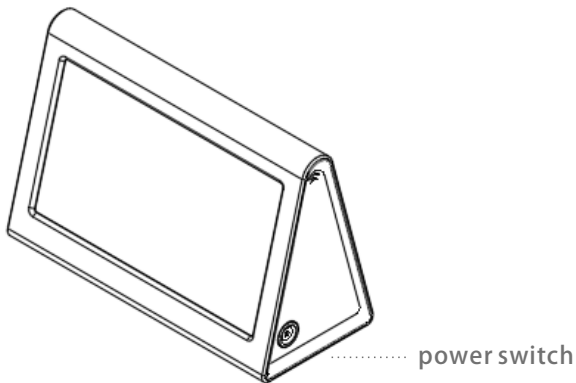
- Accessory

power adapter

*Above specifications are subject to change without prior notice,
explanation right reserved.*



Connectors on the housing

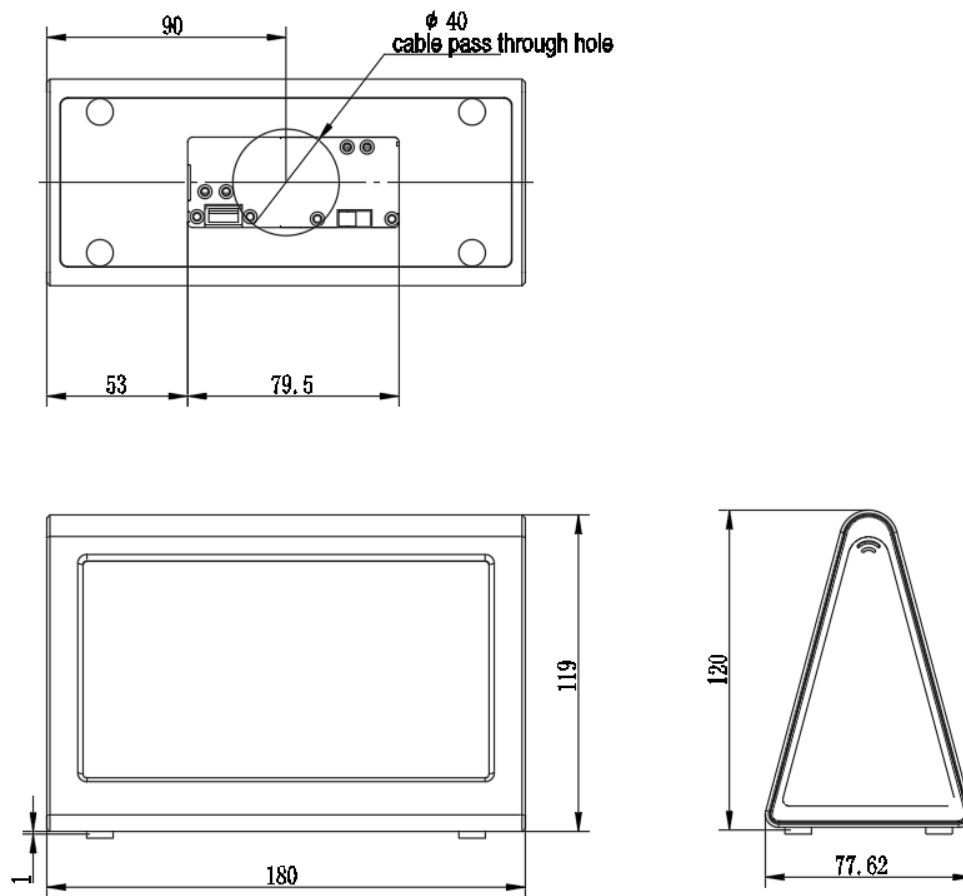


Warranty

1 year by default, effective from delivery date
price increase 3% when extend to 2years
price increase 5% when extend to 3years
price increase 10% when extend to 5years



Dimensions



Above dimensions for reference and subject to change, please double confirm.

